

# PLANONLIGHT LED 5W/R

Small, strong with compact design.



**hagnleone**  
LIGHTING

## EN DATA SHEET

Please read installation instructions carefully before commissioning!

PLANONLIGHT 5W/R  
Item no. 10380



### Hagnleone GmbH

Bobletten 36  
6850 Dornbirn, Austria  
T +43 (0) 5572 394440  
F +43 (0) 5572 394841  
leuchten@hagnleone.at

[www.hagnleone.at](http://www.hagnleone.at)

**TECHNICAL DATA:** (These are typical values which can deviate in series production)

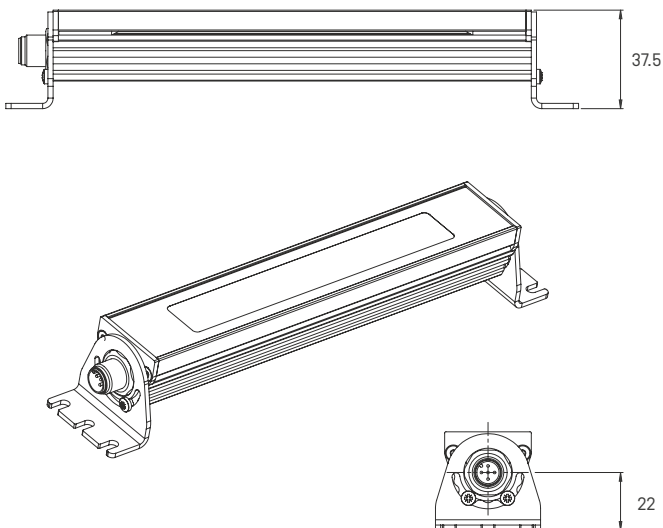
Type designation:	L x W x H:	Operating voltage:	Power:	Number of LEDs:	Temperature range:	Weight:	Ligh colour:
PLANONLIGHT 5W/R	218 x 40 x 37.5 mm	24 VDC*	5 W	10 pcs./80°	-20 °C to +55 °C	350 g	6500 K

\* Voltage range 22 VDC to max. 26VDC; below 22 VDC brightness losses possible.

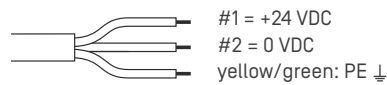
### FIXING CENTRES / DIMENSIONS:



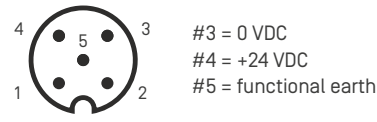
### PLANONLIGHT LED 5W/R DIMENSIONS:



### CABLE CONNECTION – M12:



**Direct connection to the mains voltage damages the lamp!**



**Flexible connection cable:**  
3 x 0.75 mm<sup>2</sup> (AWG 18)  
L = ca. 3 m  
Ø = 5.9 +/- 0.2 mm

pins = male

### IMPORTANT NOTES:

Keep lamp wire as short as possible.

The plug must not be opened (marking with sealing wax). If the sealing wax is broken, the warranty expires.

The lamp is suitable for direct mounting on normal flammable surfaces.

RoHs compliant, observe WEEE directive for waste electrical and electronic equipment.

All types have the protection class III (SELV), IP protection class IP67 (No use inside the working area of the machine tool), CE and CB.

Standards: IEC 60598-1, IEC 60598-2-1, UL 2108, UL 8750

Tested in lathes and milling machines with standard lubricants.

Differences in brightness of +/- 5% depending on the technology are normal. Failure of individual LEDs does not constitute grounds for a complaint as long as the difference in brightness is less than 5%.

For more information about tooling machine lamps see: [www.hagnleone.at](http://www.hagnleone.at)

