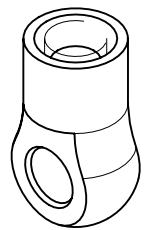
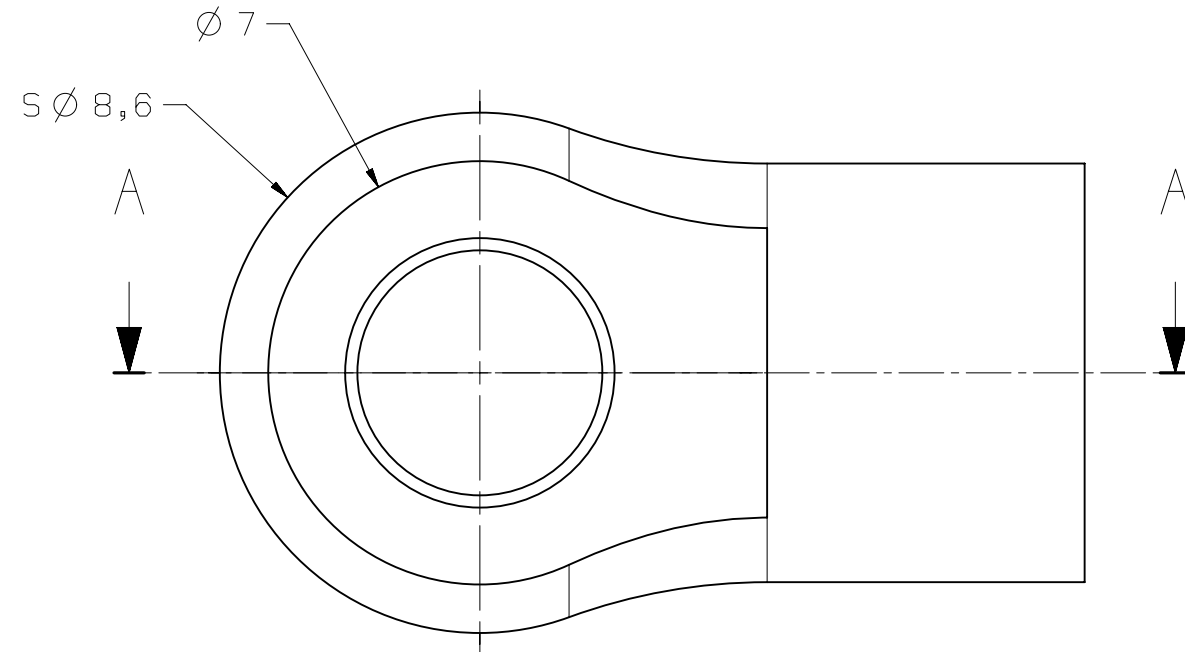


SECTION A - A



TO ORDER PLEASE QUOTE PART NUMBER A-5004-7607

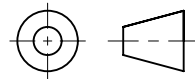
SCALE 2:1

THIS IS A CUSTOMER DRAWING. DIMENSIONS ARE GENERALLY NOMINAL EXCEPT WHERE TOLERANCED.

TOLERANCED DIMENSIONS ARE CONSIDERED CRITICAL AND ARE INSPECTED BY OUR QUALITY DEPARTMENT PRIOR TO DESPATCH.

ALL DIMENSIONS ARE IN MILLIMETRES. DRAWING PRACTICE TO BS 8888.

3rd ANGLE PROJECTION



DO NOT SCALE

TITLE

SWIVEL 90DEG ADAPTOR 25 X 25

MATERIAL TYPE CODE

MATERIAL

STAINLESS STEEL

ISSUE No.

DRAWN BY

DRAWN DATE

RC

MAY 09

SHEET

CHECKED

1 OF 1

CONFIDENTIAL. THIS DRAWING IS THE PROPERTY OF © RENISHAW plc, AND MAY NOT BE COPIED OR USED FOR ANY PURPOSE, OTHER THAN THAT FOR WHICH IT IS SUPPLIED, WITHOUT THE EXPRESS WRITTEN AUTHORITY OF RENISHAW plc.

RENISHAW®

Wotton - under - Edge
Glos. England.
GL12 8JR

SCALE
U.O.S.
NTS

DRAWING No.

N-5004-7607-00-A