

BEF-KP-Dx50/DT20

Cooling devices

DEVICE PROTECTION AND CARE

SICK
Sensor Intelligence.

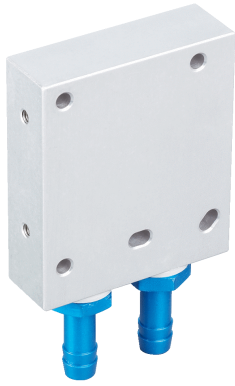


Illustration may differ

Ordering information

Type	part no.
BEF-KP-Dx50/DT20	2055755

Other models and accessories → www.sick.com/Cooling_devices

Detailed technical data

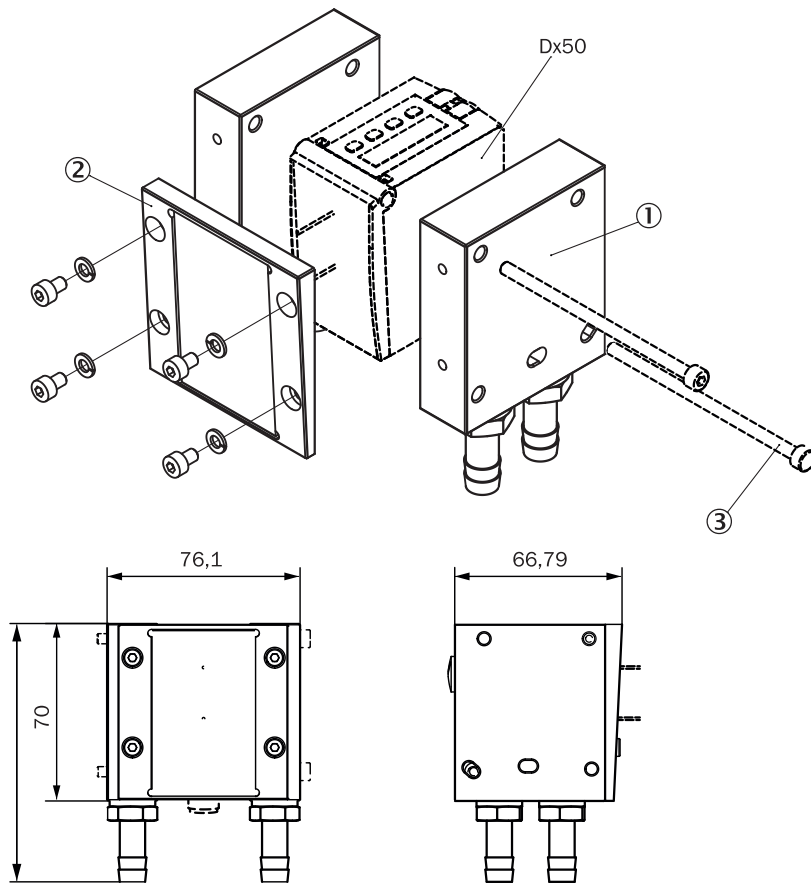
Features

Product segment	Device protection and care
Product	Cooling devices
Description	Cooling plate for Dx50/Dx50-2/DT20 (for water cooling)
Material	Aluminum (anodised)

Classifications

ECLASS 5.0	27279290
ECLASS 5.1.4	27279290
ECLASS 6.0	27279290
ECLASS 6.2	27279290
ECLASS 7.0	27279290
ECLASS 8.0	27279290
ECLASS 8.1	27279290
ECLASS 9.0	27279090
ECLASS 10.0	27279090
ECLASS 11.0	27279090
ECLASS 12.0	27279090
ETIM 5.0	EC002594
ETIM 6.0	EC002594
ETIM 7.0	EC002594
ETIM 8.0	EC002594
UNSPSC 16.0901	32131001

Exploded view



- ① Cooling plate (2 x)
- ② heat protection filter for mounting set (2057137)
- ③ for example screw, M4 x 80

SICK AT A GLANCE

SICK is one of the leading manufacturers of intelligent sensors and sensor solutions for industrial applications. A unique range of products and services creates the perfect basis for controlling processes securely and efficiently, protecting individuals from accidents and preventing damage to the environment.

We have extensive experience in a wide range of industries and understand their processes and requirements. With intelligent sensors, we can deliver exactly what our customers need. In application centers in Europe, Asia and North America, system solutions are tested and optimized in accordance with customer specifications. All this makes us a reliable supplier and development partner.

Comprehensive services complete our offering: SICK LifeTime Services provide support throughout the machine life cycle and ensure safety and productivity.

For us, that is “Sensor Intelligence.”

WORLDWIDE PRESENCE:

Contacts and other locations –www.sick.com