

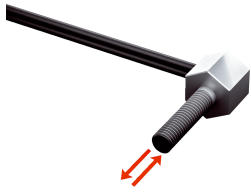
LL3-DV08

Fiber-optic cables

FIBER-OPTIC SENSORS

SICK
Sensor Intelligence.

Ordering information



Type	part no.
LL3-DV08	5336171

Other models and accessories → www.sick.com/Fiber-optic_cables

Detailed technical data

Features

Device type	Fiber-optic cables
Functional principle	Proximity system
Fiber-optic head design	Threaded sleeve, 90° deflection
Application	Standard
Compatible fiber-optic amplifiers	GLL70, WLL80, WLL180, GLL170(T)
Sensing range max.	Depending on the fiber optic amplifier used
Minimal object diameter	0.015 mm ¹⁾
Optical fiber head	
Angle of dispersion	60°
Integrated lens	No
Compatibility tip adapters	Yes
Optical fiber	
Compatibility with infrared light	No
Optical fiber cable can be shortened	✓
Adapter end sleeves required	Yes
Included with delivery	Mounting, 2 x M3 hexagon nut, 2 x washer, adapter sleeves BF-WLL160-13 (1.3 mm), FC fiber cutter (5304141)

¹⁾ Minimum detectable object was determined at optimum measuring distance and optimum setting.

Mechanics

Optical fiber head	
Light emission	Radial
Thread diameter (housing)	M3
Optical fiber	
Fiber length	1,000 mm
Bending radius	5 mm
Dynamic flexibility (robotics)	No
Outside diameter, optical fiber cable connection	1.3 mm
Fiber arrangement	Coaxial
Core structure	S: Ø 0,5 mm, R: 9 x Ø 0,25 mm Coaxial

Material	Optical fiber head	Nickel-plated brass
	Sheath	Polyethylen (PE)
	Fibers	Polymethylmethacrylat (PMMA)
Weight	19 g	

Ambient data

Ambient operating temperature	-55 °C ... +60 °C
--------------------------------------	-------------------

Classifications

ECLASS 5.0	27270905
ECLASS 5.1.4	27270905
ECLASS 6.0	27270905
ECLASS 6.2	27270905
ECLASS 7.0	27270905
ECLASS 8.0	27270905
ECLASS 8.1	27270905
ECLASS 9.0	27270905
ECLASS 10.0	27270905
ECLASS 11.0	27270905
ECLASS 12.0	27270905
ETIM 5.0	EC002651
ETIM 6.0	EC002651
ETIM 7.0	EC002651
ETIM 8.0	EC002651
UNSPSC 16.0901	39121528

Sensing ranges with WLL180T

Operating mode 16 µs	30 mm
Operating mode 70 µs	90 mm
Operating mode 250 µs	180 mm
Operating mode 2 ms	250 mm
Operating mode 8 ms	320 mm
Note	Sensing ranges related to fiber-optic sensors with type of light: visible red light

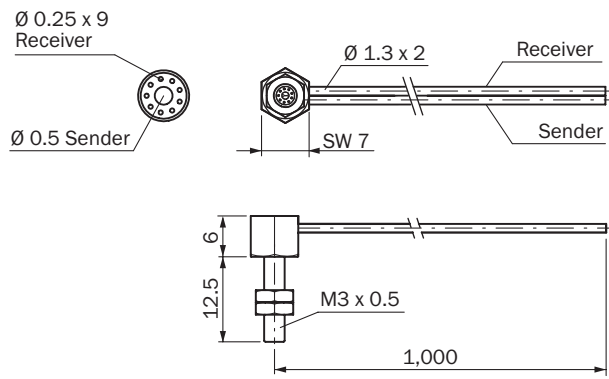
Sensing ranges with GLL170

Operating mode 250 µs	40 mm
------------------------------	-------

Sensing ranges with GLL170T

Operating mode 50 µs	30 mm
Operating mode 250 µs	55 mm

Dimensional drawing



Dimensions in mm (inch)

SICK AT A GLANCE

SICK is one of the leading manufacturers of intelligent sensors and sensor solutions for industrial applications. A unique range of products and services creates the perfect basis for controlling processes securely and efficiently, protecting individuals from accidents and preventing damage to the environment.

We have extensive experience in a wide range of industries and understand their processes and requirements. With intelligent sensors, we can deliver exactly what our customers need. In application centers in Europe, Asia and North America, system solutions are tested and optimized in accordance with customer specifications. All this makes us a reliable supplier and development partner.

Comprehensive services complete our offering: SICK LifeTime Services provide support throughout the machine life cycle and ensure safety and productivity.

For us, that is “Sensor Intelligence.”

WORLDWIDE PRESENCE:

Contacts and other locations –www.sick.com