



LD-MRS400102 HD

LD-MRS

3D LIDAR SENSORS

SICK
Sensor Intelligence.



Ordering information

Type	part no.
LD-MRS400102 HD	1047145

Other models and accessories → www.sick.com/LD-MRS



Detailed technical data

Features

Application	Outdoor, Indoor
Light source	Infrared light (905 nm, ± 10 nm)
Laser class	1 (IEC 60825-1:2014, EN 60825-1:2014+A11:2021)
Aperture angle	Horizontal 85°, Working range with 4 scan layers, 25° extension of working range to a total of 110° with 2 scan layers
	Vertical 3.2°
Scanning frequency	12.5 Hz ... 50 Hz
Angular resolution	Horizontal 0.125°
	0.25°
	0.5°
	Vertical 0.8°
Working range	0.5 m ... 320 m
Scanning range	At 10% remission factor 30 m
	At 90% remission factor 150 m
Amount of evaluated echoes	3

Mechanics/electronics

Connection type	2, 1 x Odu Mini-snap round connector, 4-pin (supply voltage, ETH), Odu Mini-snap round connector, 12-pin (Sync)
Supply voltage	9 V ... 30 V
Power consumption	8 W
Housing material	Al
Housing color	Gray (RAL 7032), black (RAL 9005)
Enclosure rating	IP69K
Protection class	III
Weight	1 kg
Dimensions (L x W x H)	94 mm x 165 mm x 88 mm
MTBF	> 100 years

Safety-related parameters

MTTF_D	> 100 years
-------------------------	-------------

Performance

Detectable object shape	Almost any
Systematic error	± 300 mm ¹⁾
Statistical error	100 mm ¹⁾
Integrated application	Field evaluation
Number of field sets	16 fields
Simultaneous evaluation cases	16

¹⁾ Typical value; actual value depends on environmental conditions.

Interfaces

Ethernet	Function	✓, TCP/IP
	Data transmission rate	Raw data interface/parameterization 100 Mbit/s
Serial	Function	✓, RS-232 Auxiliary interface
	Data transmission rate	57,600 Baud
CAN	Function	✓ Auxiliary interface

Ambient data

Ambient operating temperature	-40 °C ... +70 °C
Ambient light immunity	100 klx

General notes

Note on use	The sensor does not constitute a safety component as defined by relevant legislation on machine safety.
--------------------	---

Certificates

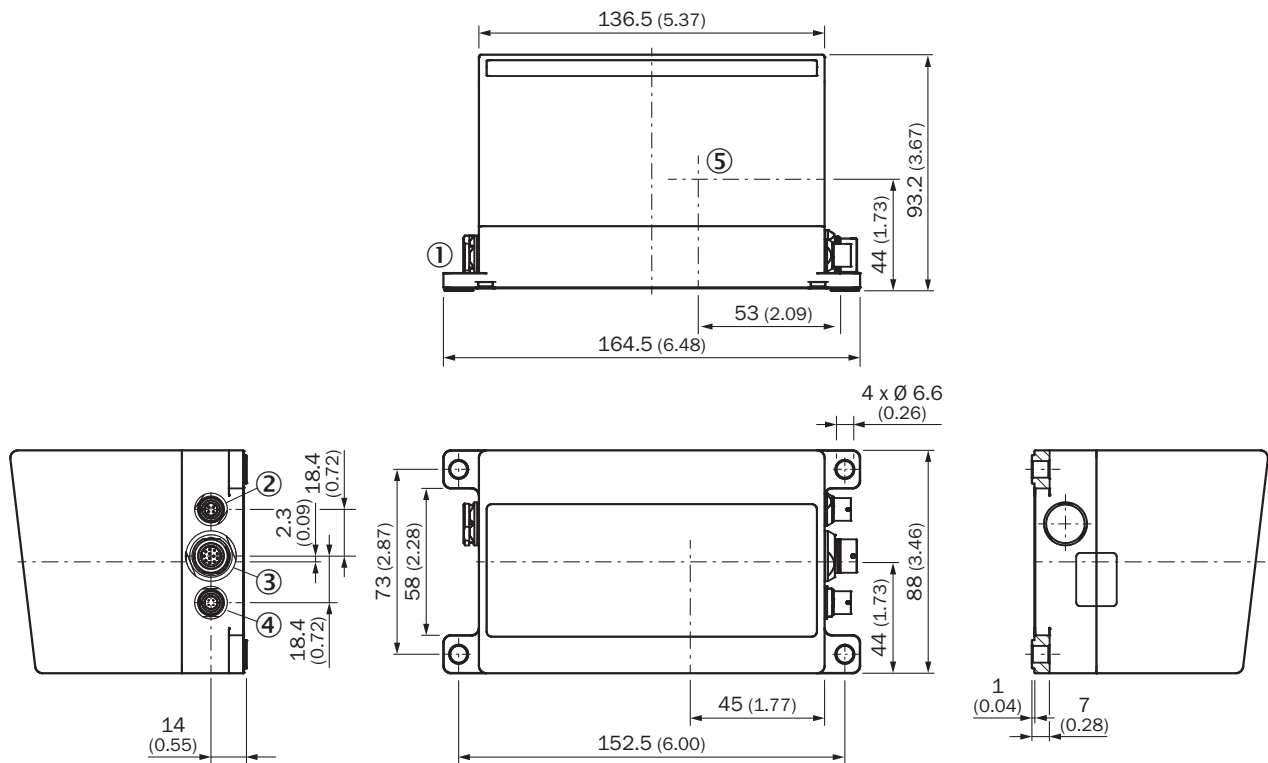
EU declaration of conformity	✓
UK declaration of conformity	✓
ACMA declaration of conformity	✓
China RoHS	✓
Information according to Art. 3 of Data Act (Regulation EU 2023/2854)	✓

Classifications

ECLASS 5.0	27270990
ECLASS 5.1.4	27270990
ECLASS 6.0	27270913
ECLASS 6.2	27270913
ECLASS 7.0	27270913
ECLASS 8.0	27270913

ECLASS 8.1	27270913
ECLASS 9.0	27270913
ECLASS 10.0	27270913
ECLASS 11.0	27270913
ECLASS 12.0	27270913
ETIM 5.0	EC002550
ETIM 6.0	EC002550
ETIM 7.0	EC002550
ETIM 8.0	EC002550
UNSPSC 16.0901	41111615

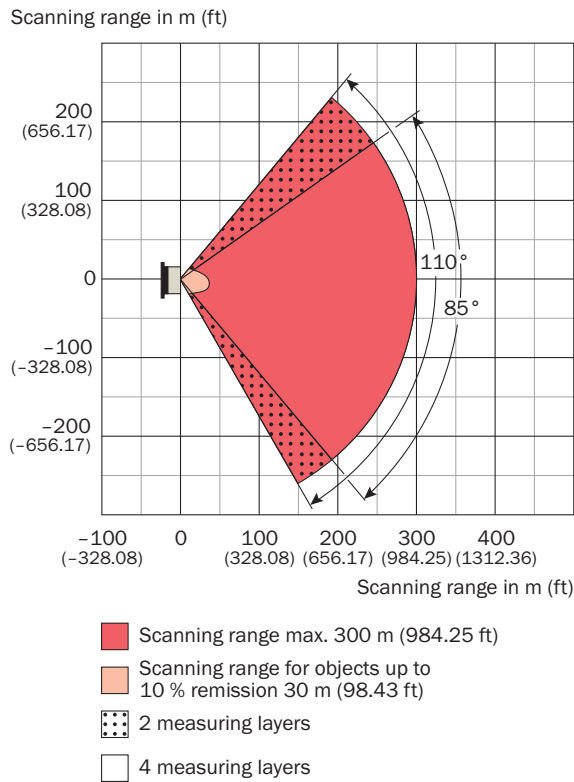
Dimensional drawing



Dimensions in mm (inch)




- ① venting element
- ② "Ethernet" connection, 4-pin female connector
- ③ connection data interface / synchronisation, 12-pin female connector
- ④ connection "Power", 4-pin female connector
- ⑤ Sensor coordinate origin

working range diagram 30 m



Recommended accessories

Other models and accessories → www.sick.com/LD-MRS

	Brief description	Type	part no.
Mounting systems			
	<ul style="list-style-type: none"> • Description: Bracket for LD-MRS, alignment adjustable in 2 axes 	Alignment bracket	1047429
connectors and cables			
	<ul style="list-style-type: none"> • Connection type head A: Male connector, round plug, 4-pin, straight • Connection type head B: Male connector, RJ45, straight • Signal type: Ethernet • Cable: 8 m • Description: Ethernet, shielded • Note: Connects the Ethernet interface of the LD-MRS to the Ethernet interface of the PC 	YM2Z14-080EC3M-RJA8	2049827
	<ul style="list-style-type: none"> • Connection type head A: Female connector, round socket, 4-pin, straight • Connection type head B: Flying leads • Cable: 8 m • Description: Shielded • Connection systems: Flying leads • Application: Zones with chemicals, Uncontaminated zones 	YM2Z14-080VA4M2Z12	2049824

SICK AT A GLANCE

SICK is one of the leading manufacturers of intelligent sensors and sensor solutions for industrial applications. A unique range of products and services creates the perfect basis for controlling processes securely and efficiently, protecting individuals from accidents and preventing damage to the environment.

We have extensive experience in a wide range of industries and understand their processes and requirements. With intelligent sensors, we can deliver exactly what our customers need. In application centers in Europe, Asia and North America, system solutions are tested and optimized in accordance with customer specifications. All this makes us a reliable supplier and development partner.

Comprehensive services complete our offering: SICK LifeTime Services provide support throughout the machine life cycle and ensure safety and productivity.

For us, that is “Sensor Intelligence.”

WORLDWIDE PRESENCE:

Contacts and other locations –www.sick.com