

KHT53-XXX01700

KH53

MAGNETIC LINEAR ENCODERS

SICK
Sensor Intelligence.



Illustration may differ

Ordering information

Type	part no.
KHT53-XXX01700	1030085

Other models and accessories → www.sick.com/KH53

Detailed technical data

Performance

Measuring range	0 m ... 1,700 m
------------------------	-----------------

Interfaces

Code type	Coded
------------------	-------

Mechanics

Weight	+ 0.5 kg, per meter
Length of measuring element	1.9072 m (including distance)
Material, measuring elements	AlMgSi0,5F22
Description	≤ Measuring elements coded for measuring range up to 1,700 m

Ambient data

Resistance to shocks	50 g, 10 ms (DIN EN 61000-2-27)
Resistance to vibration	30 g, 20 Hz ... 250 Hz (DIN EN 61000-2-6)

Certificates

China RoHS	✓
-------------------	---

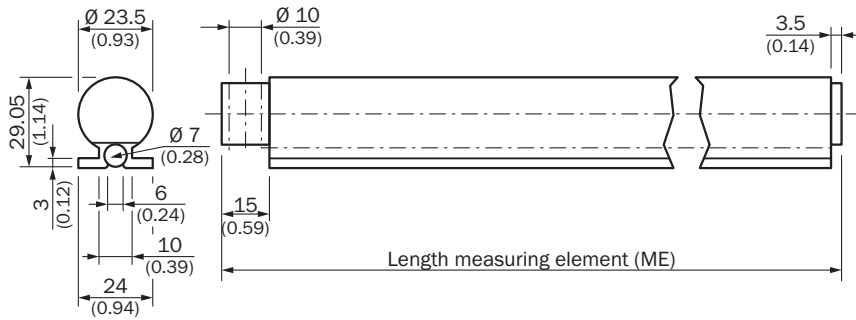
Classifications

ECLASS 5.0	27270705
ECLASS 5.1.4	27270705
ECLASS 6.0	27270705
ECLASS 6.2	27270705
ECLASS 7.0	27270705
ECLASS 8.0	27270705
ECLASS 8.1	27270705
ECLASS 9.0	27270705
ECLASS 10.0	27270705
ECLASS 11.0	27270705
ECLASS 12.0	27274304
ETIM 5.0	EC002544
ETIM 6.0	EC002544
ETIM 7.0	EC002544
ETIM 8.0	EC002544

UNSPSC 16.0901

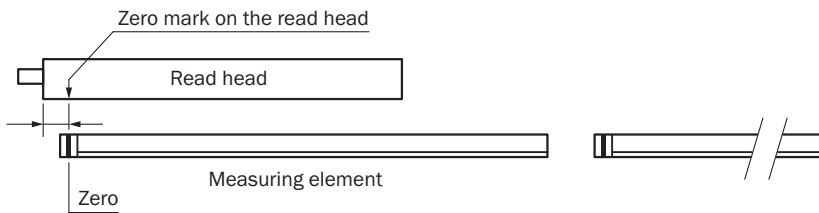
41111613

Dimensional drawing Measuring element



Dimensions in mm (inch)

Position tolerance Start of measuring path



SICK AT A GLANCE

SICK is one of the leading manufacturers of intelligent sensors and sensor solutions for industrial applications. A unique range of products and services creates the perfect basis for controlling processes securely and efficiently, protecting individuals from accidents and preventing damage to the environment.

We have extensive experience in a wide range of industries and understand their processes and requirements. With intelligent sensors, we can deliver exactly what our customers need. In application centers in Europe, Asia and North America, system solutions are tested and optimized in accordance with customer specifications. All this makes us a reliable supplier and development partner.

Comprehensive services complete our offering: SICK LifeTime Services provide support throughout the machine life cycle and ensure safety and productivity.

For us, that is “Sensor Intelligence.”

WORLDWIDE PRESENCE:

Contacts and other locations –www.sick.com