



# MLG05W-0454G12599

MLG-2 WebChecker

**AUTOMATION LIGHT GRIDS**

**SICK**  
Sensor Intelligence.



Illustration may differ

### Ordering information

| Type              | part no. |
|-------------------|----------|
| MLG05W-0454G12599 | 1118081  |

Other models and accessories → [www.sick.com/MLG-2\\_WebChecker](http://www.sick.com/MLG-2_WebChecker)



### Detailed technical data

#### Features

|   |                        |
|---|------------------------|
| <b>Device version</b>                   | Web guiding            |
| <b>Sensor principle</b>                 | Sender/receiver        |
| <b>Minimum object length</b>            | 4 mm <sup>1)</sup>     |
| <b>Beam separation</b>                  | 5 mm                   |
| <b>Resolution</b>                       | 0.1 mm                 |
| <b>Cycle time</b>                       | 32 µs per beam         |
| <b>Repeatability</b>                    | 6 µm <sup>2)</sup>     |
| <b>Accuracy</b>                         | ± 0.3 mm <sup>3)</sup> |
| <b>Type of synchronization</b>          | Cable                  |
| <b>Number of beams</b>                  | 240                    |
| <b>Total measuring field width</b>      | 1,945 mm               |
| <b>Measuring field width detailed</b>   |                        |
| Measuring field width (connection side) | 595 mm                 |
| Blind zone (medium range)               | 755 mm                 |
| Measuring field width (head side)       | 595 mm                 |
| <b>Software features (default)</b>      |                        |
| Q <sub>1</sub> /C                       | Edge position 1        |

<sup>1)</sup> See graphic: product definition.

<sup>2)</sup> 1 sigma, 0% object transmission (sensor internal value).

<sup>3)</sup> Typical 0.1 mm. For opaque objects and exact alignment of sender/receiver.

|                               |                |   |
|-------------------------------|----------------|---|
|                               | Q <sub>2</sub> | Standard teach-in   |
|                               | Q <sub>3</sub> | Edge position 10  |
|                               | Q <sub>A</sub> | Function 1, rising  |
|                               | Application    | Web edge, opaque  |
| <b>Included with delivery</b> |                | 1 × sender<br>1 × receiver<br>4/6 × QuickFix brackets (6 × QuickFix brackets for monitoring heights above 2 m)<br>1 × Quick Start Guide |

<sup>1)</sup> See graphic: product definition.

<sup>2)</sup> 1 sigma, 0% object transmission (sensor internal value).

<sup>3)</sup> Typical 0.1 mm. For opaque objects and exact alignment of sender/receiver.

## Mechanics/electronics

|  |  |
|--|--|
| <b>Light source</b>                    | LED, Infrared light  |
| <b>Wave length</b>                     | 850 nm   |
| <b>Supply voltage V<sub>s</sub></b>    | DC 19.2 V ... 28.8 V <sup>1)</sup>   |
| <b>Power consumption sender</b>        | 67 mA <sup>2)</sup>  |
| <b>Power consumption receiver</b>      | 168 mA <sup>2)</sup>   |
| <b>Ripple</b>                          | < 5 V <sub>pp</sub>  |
| <b>Output current I<sub>max.</sub></b> | 100 mA   |
| <b>Output load, capacitive</b>         | 100 nF   |
| <b>Output load, Inductive</b>          | 1 H  |
| <b>Initialization time</b>             | < 1 s  |
| <b>Switching output</b>                | Push-pull: PNP/NPN   |
| <b>Dimensions (W x H x D)</b>          | 34 mm x 2,029.4 mm x 30.6 mm   |
| <b>Connection type</b>                 | Plug, M12, 5-pin, 0.22 m<br>Male connector M12, 8-pin, 0.27 m<br>M12 female connector, 4-pin, D-coded, 0.19 m                |
| <b>Housing material</b>                | Aluminum   |
| <b>Display</b>                         | LED  |
| <b>Enclosure rating</b>                | IP65, IP67 <sup>3)</sup>   |
| <b>Circuit protection</b>              | U <sub>V</sub> connections, reverse polarity protected<br>Output Q short-circuit protected<br>Interference pulse suppression |
| <b>Protection class</b>                | III  |
| <b>Weight</b>                          | 4.159 kg   |
| <b>Front screen</b>                    | PMMA   |
| <b>Option</b>                          | None   |
| <b>UL File No.</b>                     | NRKH.E181493   |

<sup>1)</sup> Without load.

<sup>2)</sup> Without load with 24 V.

<sup>3)</sup> Operating in outdoor condition only with a external protection housing.

## Performance

|                        |                       |
|------------------------|-----------------------|
| <b>Maximum range</b>   | 3.5 m <sup>1)</sup>   |
| <b>Minimum range</b>   | ≥ 0.2 m               |
| <b>Operating range</b> | 2.5 m                 |
| <b>Response time</b>   | 48.5 ms <sup>2)</sup> |

<sup>1)</sup> No reserve for environmental issue and deterioration of the diode.

<sup>2)</sup> With resistive load.

## Interfaces

|                        |                                   |
|------------------------|-----------------------------------|
| <b>IO-Link</b>         | ✓ , IO-Link V1.1                  |
| Data transmission rate | 230,4 kbit/s (COM3)               |
| Maximum cable length   | 20 m                              |
| Cycle time             | 3 ms                              |
| VendorID               | 26                                |
| DeviceID HEX           | 80022F                            |
| DeviceID DEC           | 8389167                           |
| Process data length    | 32 Byte (TYPE_2_V) <sup>1)</sup>  |
| <b>Analog</b>          | ✓ , Current                       |
| <b>Inputs/outputs</b>  | 1 x analog + 3 x Q (IO-Link)      |
| <b>Analog output</b>   | Q <sub>A1</sub>                   |
| Number                 | 1                                 |
| Type                   | Current output                    |
| Current                | 4 mA ... 20 mA                    |
| <b>Digital output</b>  | Q <sub>1</sub> ... Q <sub>3</sub> |
| Number                 | 3                                 |
| <b>Digital input</b>   | Q <sub>2</sub> , Q <sub>3</sub>   |
| Number                 | 2                                 |

<sup>1)</sup> For an IO-Link master with V1.0, reverts to interleaved mode (consisting of TYPE\_1\_1 (ProcessData) and TYPE\_1\_2 (on-request data)).

## Ambient data

|                                      |  |
|--------------------------------------|--|
| <b>Shock resistance</b>              | Continuous shocks 10 g, 16 ms, 1000 shocks<br>Single shocks 15 g, 11 ms 3 per axle |
| <b>Vibration resistance</b>          | Sinusoidal oscillation 10-150 Hz 5 g   |
| <b>Ambient light immunity</b>        | 100,000 lx   |
| <b>Ambient operating temperature</b> | -30 °C ... +55 °C  |
| <b>Ambient temperature, storage</b>  | -40 °C ... +70 °C  |

## Smart Task

|                        |             |
|------------------------|-------------|
| <b>Smart Task name</b> | Base logics |
|------------------------|-------------|

## Certificates

|   |   |
|---|---|
| <b>EU declaration of conformity</b>       | ✓ |
| <b>UK declaration of conformity</b>       | ✓ |
| <b>ACMA declaration of conformity</b>     | ✓ |
| <b>Moroccan declaration of conformity</b> | ✓ |

|  |   |
|--|---|
| <b>China-RoHS</b>  | ✓ |
| <b>cULus certificate</b>   | ✓ |
| <b>IO-Link</b>   | ✓ |
| <b>Photobiological safety (IEC EN 62471)</b>                                 | ✓ |
| <b>Information according to Art. 3 of Data Act (Regulation EU 2023/2854)</b> | ✓ |

## Classifications

|                       |          |
|-----------------------|----------|
| <b>ECLASS 5.0</b>     | 27270910 |
| <b>ECLASS 5.1.4</b>   | 27270910 |
| <b>ECLASS 6.0</b>     | 27270910 |
| <b>ECLASS 6.2</b>     | 27270910 |
| <b>ECLASS 7.0</b>     | 27270910 |
| <b>ECLASS 8.0</b>     | 27270910 |
| <b>ECLASS 8.1</b>     | 27270910 |
| <b>ECLASS 9.0</b>     | 27270910 |
| <b>ECLASS 10.0</b>    | 27270910 |
| <b>ECLASS 11.0</b>    | 27270910 |
| <b>ECLASS 12.0</b>    | 27270910 |
| <b>ETIM 5.0</b>       | EC002549 |
| <b>ETIM 6.0</b>       | EC002549 |
| <b>ETIM 7.0</b>       | EC002549 |
| <b>ETIM 8.0</b>       | EC002549 |
| <b>UNSPSC 16.0901</b> | 39121528 |

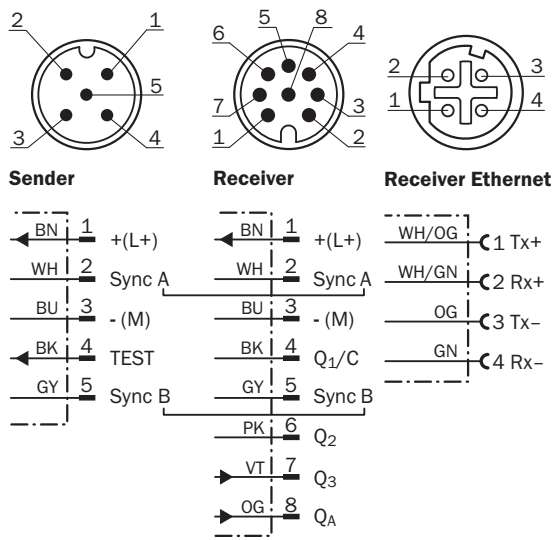
Dimensional drawing



Dimensions in mm (inch)

- ① First beam
- ② last beam
- ③ total measuring field width (see technical data)
- ④ Beam separation
- ⑤ Optical axis
- ⑥ status indicator: green, yellow, red LEDs
- ⑦ Connection

Connection type and diagram MLG-2 WebChecker



Adjustments

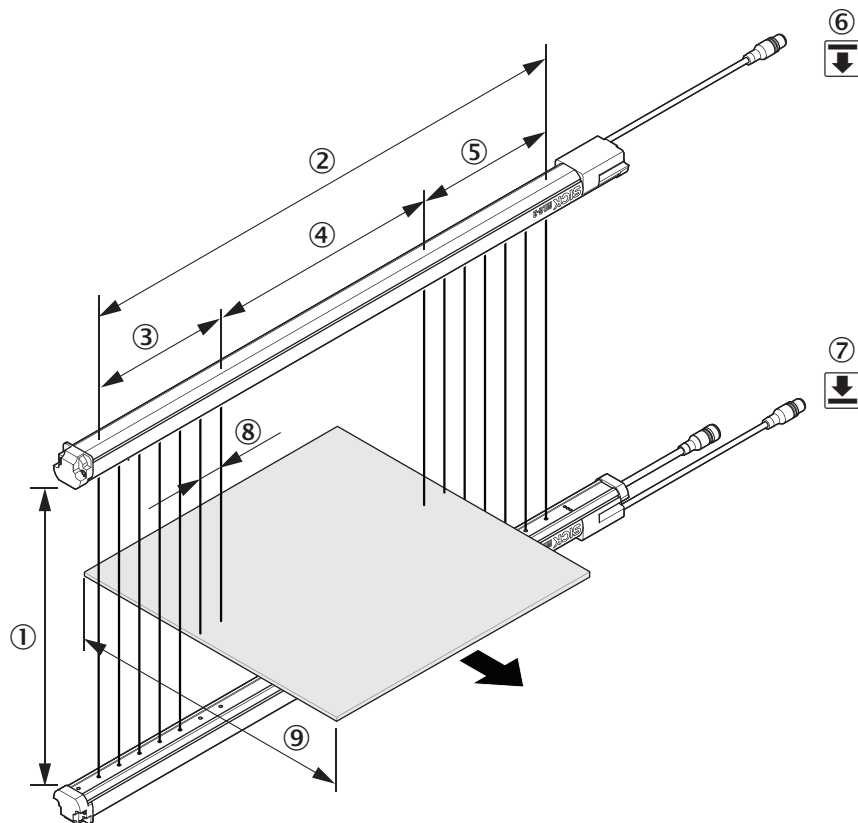


① status indicator: green, yellow, red LEDs

Connection diagram T-piece



Product definition



- ① operating range
- ② total measuring field width
- ③ measuring field width (head side)
- ④ Blind zone (medium range)
- ⑤ measuring field width (connection side)

- ⑥ sender
- ⑦ receiver
- ⑧ Beam separation
- ⑨ minimum object length

### Recommended accessories

Other models and accessories → [www.sick.com/MLG-2\\_WebChecker](http://www.sick.com/MLG-2_WebChecker)

|   | Brief description   | Type                | part no. |
|---|---|---------------------|----------|
| connectors and cables   |   |                     |          |
|    | <ul style="list-style-type: none"> <li>• <b>Connection type head A:</b> Female connector, M12, 8-pin, straight</li> <li>• <b>Connection type head B:</b> Flying leads</li> <li>• <b>Signal type:</b> Sensor/actuator cable</li> <li>• <b>Cable:</b> 5 m, 8-wire, PVC</li> <li>• <b>Description:</b> Sensor/actuator cable, special color code, shielded</li> <li>• <b>Connection systems:</b> Flying leads</li> </ul>   | DOL-1208-G05MF      | 6020664  |
|    | <ul style="list-style-type: none"> <li>• <b>Connection type head A:</b> Female connector, M12, 5-pin, A-coded</li> <li>• <b>Connection type head B:</b> Female connector, M12, 8-pin, A-coded</li> <li>• <b>Connection type head C:</b> Male connector, M12, 8-pin, A-coded</li> <li>• <b>Description:</b> Unshielded</li> <li>• <b>Note:</b> For connecting of a PLC</li> </ul>  | SBO-02F12-SM1       | 6053172  |
|    | <ul style="list-style-type: none"> <li>• <b>Connection type head A:</b> Female connector, M12, 5-pin, straight, A-coded</li> <li>• <b>Connection type head B:</b> Male connector, M12, 5-pin, straight, A-coded</li> <li>• <b>Signal type:</b> Sensor/actuator cable</li> <li>• <b>Cable:</b> 2 m, 5-wire, PUR, halogen-free</li> <li>• <b>Description:</b> Sensor/actuator cable, unshielded</li> <li>• <b>Application:</b> Uncontaminated zones, Zones with oils and lubricants, Robot, Drag chain operation</li> </ul> | YF2A15-020UB5M2A15  | 2096009  |
|  | <ul style="list-style-type: none"> <li>• <b>Connection type head A:</b> Female connector, M12, 8-pin, straight, A-coded</li> <li>• <b>Connection type head B:</b> Male connector, M12, 8-pin, straight, A-coded</li> <li>• <b>Signal type:</b> Sensor/actuator cable</li> <li>• <b>Cable:</b> 2 m, 8-wire, PUR, halogen-free</li> <li>• <b>Description:</b> Sensor/actuator cable, shielded</li> <li>• <b>Application:</b> Uncontaminated zones, Zones with oils and lubricants, Robot, Drag chain operation</li> </ul>   | YF2A28-020UA6M2A28  | 2096105  |
|  | <ul style="list-style-type: none"> <li>• <b>Connection type head A:</b> Male connector, M12, 4-pin, straight, D-coded</li> <li>• <b>Connection type head B:</b> Male connector, RJ45, 4-pin, straight</li> <li>• <b>Signal type:</b> Ethernet, PROFINET</li> <li>• <b>Cable:</b> 2 m, 4-wire, PUR, halogen-free</li> <li>• <b>Description:</b> Ethernet, shielded, PROFINET</li> <li>• <b>Application:</b> Drag chain operation, Zones with oils and lubricants</li> </ul>  | YM2D24-020P-N1MRJA4 | 2106182  |

|   | Brief description | Type             | part no. |
|---|-------------------|------------------|----------|
| network devices   |                   |                  |          |
|  |                   | SIG350-0004AP100 | 6076871  |
|  |                   | SIG350-0006AP100 | 6076924  |
|  |                   | SIG350-0005AP100 | 6076923  |

## SICK AT A GLANCE

SICK is one of the leading manufacturers of intelligent sensors and sensor solutions for industrial applications. A unique range of products and services creates the perfect basis for controlling processes securely and efficiently, protecting individuals from accidents and preventing damage to the environment.

We have extensive experience in a wide range of industries and understand their processes and requirements. With intelligent sensors, we can deliver exactly what our customers need. In application centers in Europe, Asia and North America, system solutions are tested and optimized in accordance with customer specifications. All this makes us a reliable supplier and development partner.

Comprehensive services complete our offering: SICK LifeTime Services provide support throughout the machine life cycle and ensure safety and productivity.

For us, that is “Sensor Intelligence.”

## WORLDWIDE PRESENCE:

Contacts and other locations –[www.sick.com](http://www.sick.com)