



# WE026I-2416R500A00ZLLZZZZZZZZ1

## L26

SAFETY SINGLE-BEAM SENSORS

**SICK**  
Sensor Intelligence.



### Ordering information

Type	part no.
WE026I-2416R500A00ZLLZZZZZZZ1	2113110

Other models and accessories → [www.sick.com/L26](http://www.sick.com/L26)



### Detailed technical data

#### Features

<b>Smart Sensor</b>	Diagnosis Efficient communication Smart Task
<b>Type of light</b>	Near-infrared (NIR), invisible
<b>Scanning range</b>	50 m
<b>Number of beams</b>	1
<b>Detection capability</b>	30 mm <sup>1)</sup>
<b>Response time</b>	0.5 ms
<b>Response time</b>	0.5 ms + Test device response time
<b>Cascading</b>	Cascading allows up to 4 single-beam photoelectric safety switches to be connected in series. You can find response times and connection diagrams for cascading in the operating instructions.

<sup>1)</sup> A test rod with a diameter of at least 30 mm is required for thorough check. Suitable test rods are available as accessories from SICK.

#### Safety-related parameters

<b>Type</b>	Type 2 (IEC 61496-1) <sup>1)</sup>
<b>Safety integrity level</b>	SIL 1 (IEC 61508) <sup>1)</sup>
<b>Category</b>	Category 2 (EN ISO 13849) <sup>1)</sup>
<b>Test rate (external test)</b>	100 /s (EN ISO 13849)
<b>Maximum demand rate</b>	60 min <sup>-1</sup> (EN ISO 13849) <sup>2)</sup>

<sup>1)</sup> Only in combination with an appropriate test device, e.g., Flexi Classic or Flexi Soft.

<sup>2)</sup> Between two requirements on a safety-related response of the device, at least 100 external tests must be carried out.

<b>Performance level</b>	PL c (EN ISO 13849) <sup>1)</sup>
<b>PFH<sub>D</sub> (mean probability of a dangerous failure per hour)</b>	1.0 x 10 <sup>-6</sup> (EN ISO 13849) <sup>1)</sup>
<b>T<sub>M</sub> (mission time)</b>	20 years (EN ISO 13849)

<sup>1)</sup> Only in combination with an appropriate test device, e.g., Flexi Classic or Flexi Soft.

<sup>2)</sup> Between two requirements on a safety-related response of the device, at least 100 external tests must be carried out.

## Interfaces

<b>Connection type</b>	Male connector M12, 4-pin, connector 270° rotatable
<b>Configuration method</b>	Via IO-Link
<b>Display elements</b>	LEDs
<b>Alignment aid</b>	Alignment quality via diagnostic LEDs Easy and quick sensor alignment using BluePilot
<b>Application diagnostic output (ADO)</b>	✓
<b>IO-Link</b>	✓
Data exchange via IO-Link	Device information Quality of reception
Configuration via IO-Link	Switching output Application diagnostic output (ADO)
IO-Link master	SiLink2 Master IOLA2US-01101
Configuration software	SOPAS ET

## Electronics

<b>Protection class</b>	III (IEC 61140)
<b>Supply voltage V<sub>S</sub></b>	24 V DC (19.2 V DC ... 28.8 V DC)
<b>Residual ripple</b>	≤ 5 V
<b>Power consumption</b>	≤ 30 mA
<b>Switching outputs</b>	Push-pull <sup>1)</sup>
<b>Current loading</b>	≤ 100 mA

<sup>1)</sup> Switching output for controlling the downstream test device, no OSSD according to IEC 61496-1. Output short-circuit protected.

## Mechanics

<b>Design</b>	Rectangular
<b>Dimensions (W x H x D)</b>	26.4 mm x 48.1 mm x 82.2 mm
<b>Housing material</b>	VISTAL®

## Ambient data

<b>Enclosure rating</b>	IP66 (IEC 60529) IP67 (IEC 60529) IP69K (ISO 20653)
<b>Ambient operating temperature</b>	-40 °C ... +60 °C
<b>Storage temperature</b>	-40 °C ... +75 °C
<b>Air humidity</b>	15 % ... 95 %, Non-condensing
<b>Vibration resistance</b>	5 g, 10 Hz ... 55 Hz (IEC 60068-2-6)
<b>Shock resistance</b>	10 g, 16 ms (IEC 60068-2-27)

### Other information

<b>Type of light</b>	Near-infrared (NIR), invisible
----------------------	--------------------------------

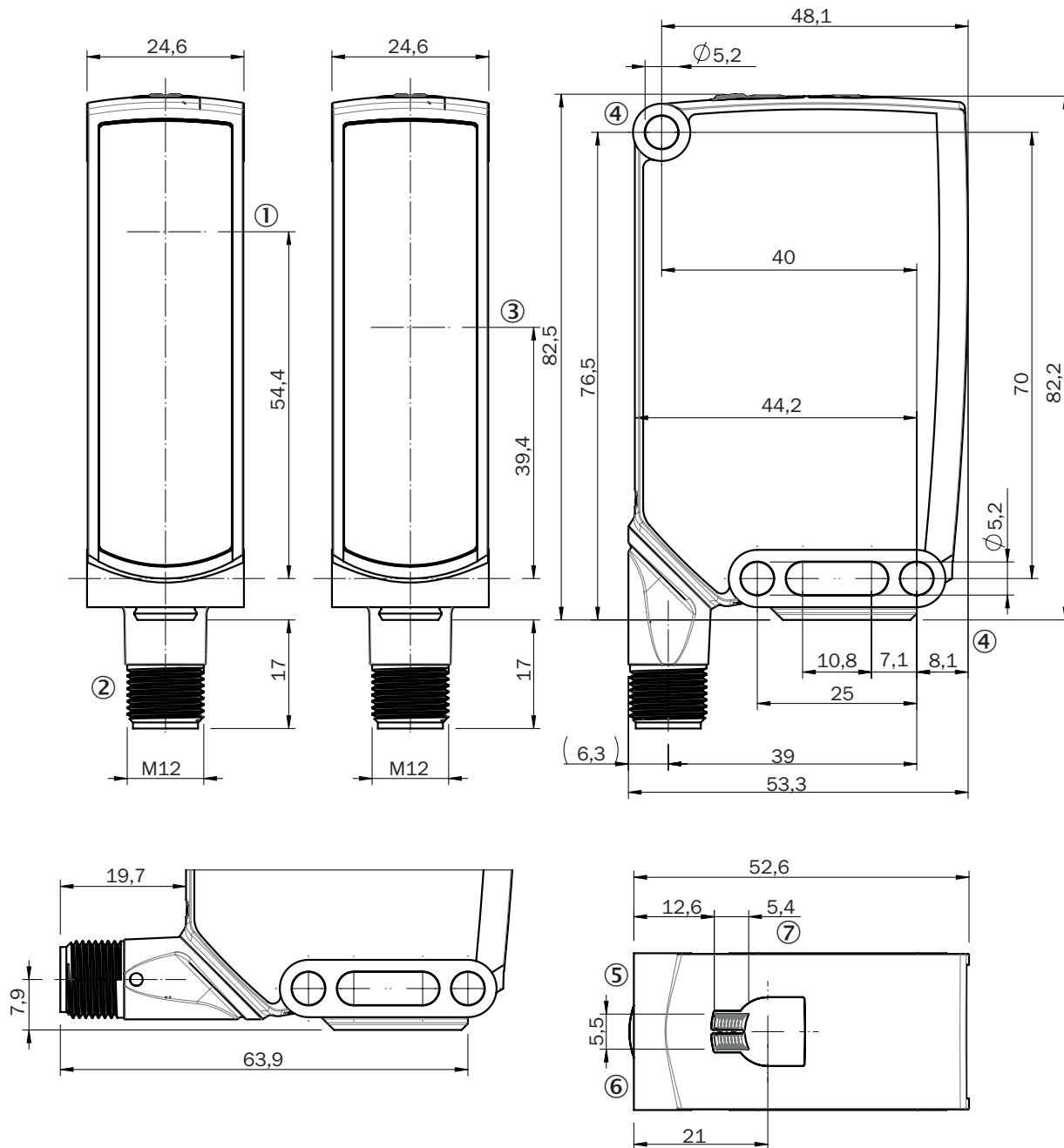
### Certificates

<b>EU declaration of conformity</b>	✓
<b>UK declaration of conformity</b>	✓
<b>ACMA declaration of conformity</b>	✓
<b>Moroccan declaration of conformity</b>	✓
<b>China-RoHS</b>	✓
<b>ECOLAB certificate</b>	✓
<b>ULus approval</b>	✓
<b>cUL approval</b>	✓
<b>Photobiological safety (DIN EN 62471) certificate</b>	✓
<b>EC-Type-Examination approval</b>	✓
<b>Information according to Art. 3 of Data Act (Regulation EU 2023/2854)</b>	✓

### Classifications

<b>ECLASS 5.0</b>	27272701
<b>ECLASS 5.1.4</b>	27272701
<b>ECLASS 6.0</b>	27272701
<b>ECLASS 6.2</b>	27272701
<b>ECLASS 7.0</b>	27272701
<b>ECLASS 8.0</b>	27272701
<b>ECLASS 8.1</b>	27272701
<b>ECLASS 9.0</b>	27272701
<b>ECLASS 10.0</b>	27272701
<b>ECLASS 11.0</b>	27272701
<b>ECLASS 12.0</b>	27272701
<b>ETIM 5.0</b>	EC001831
<b>ETIM 6.0</b>	EC001831
<b>ETIM 7.0</b>	EC001831
<b>ETIM 8.0</b>	EC001831
<b>UNSPSC 16.0901</b>	46171620

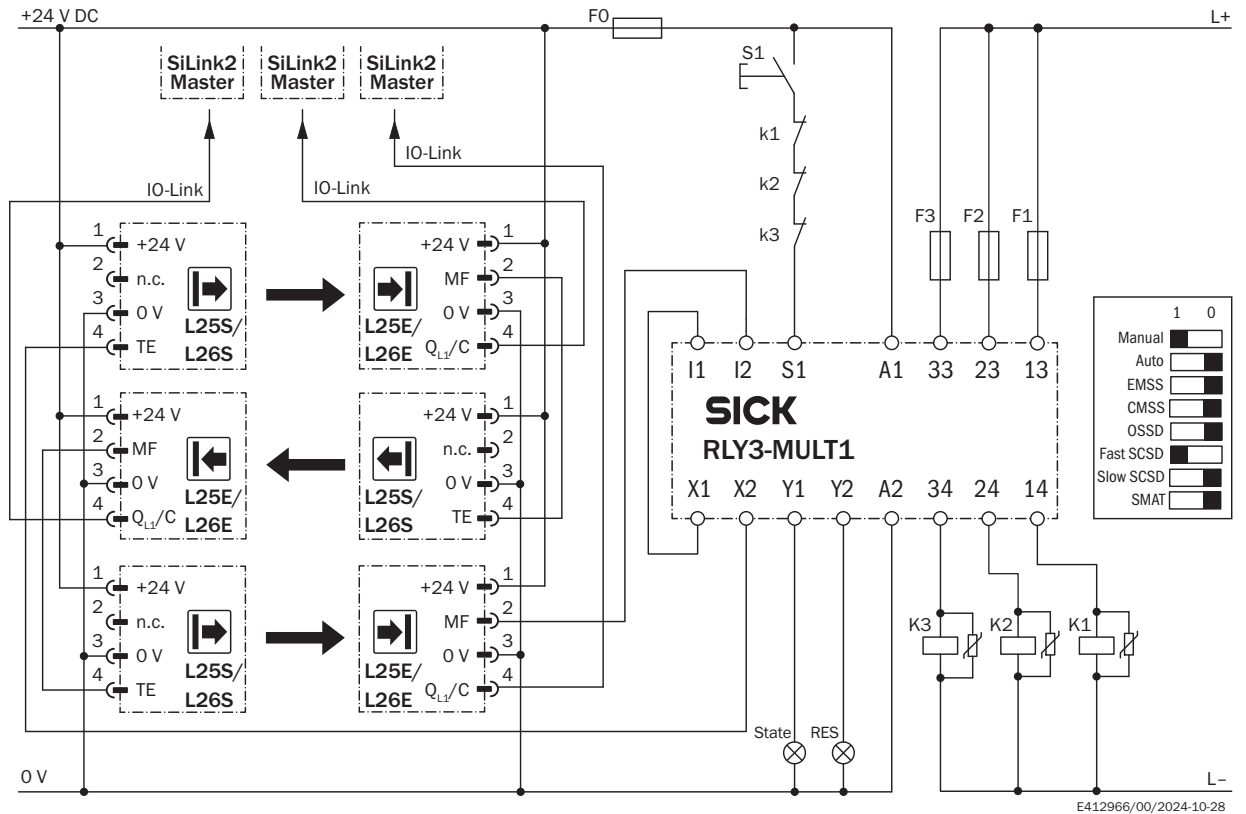
Dimensional drawing L26



Dimensions in mm (inch)

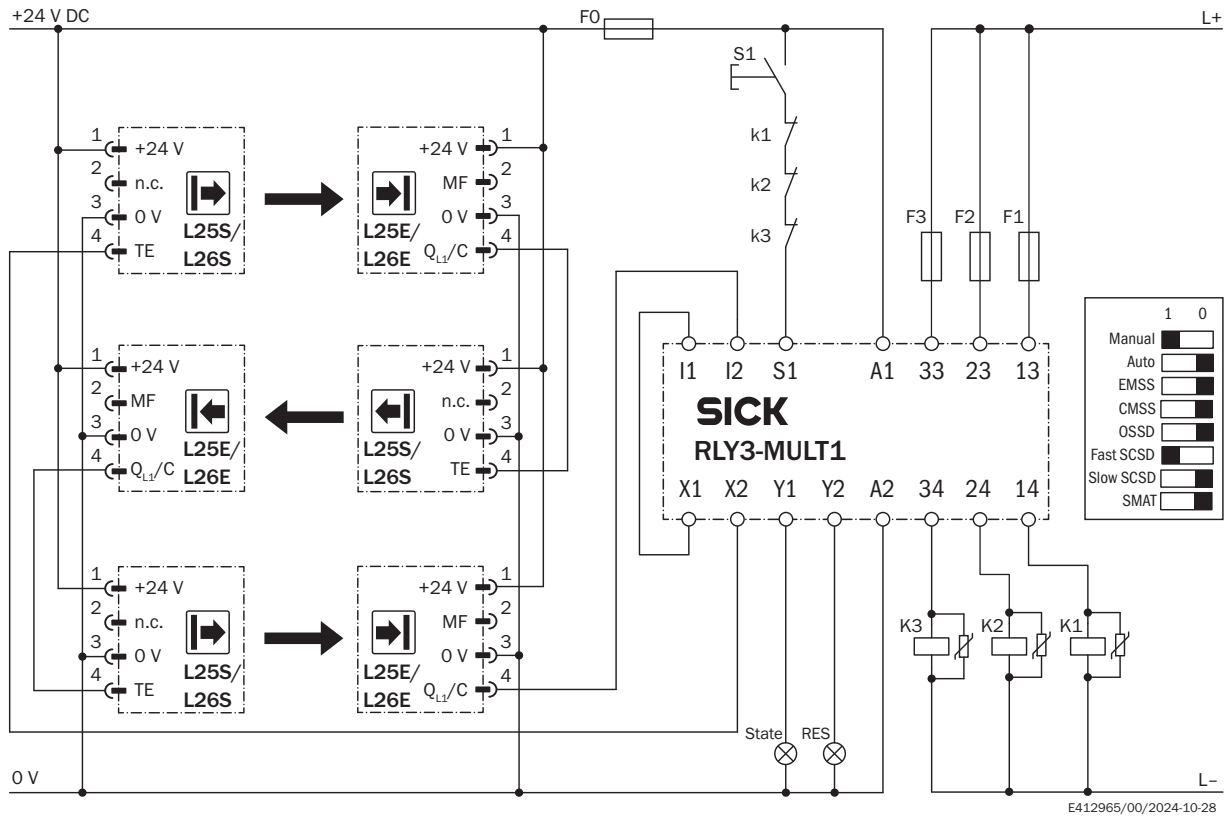
- ① Center of optical axis, sender
- ② Connection
- ③ Center of optical axis, receiver
- ④ Mounting holes
- ⑤ Green operating LED: Supply voltage active
- ⑥ Yellow status LED: Light receiver indication
- ⑦ Alignment aid (BluePilot): Blue alignment quality LEDs

Connection diagram 3 x L25/L26 to RLY3-MULT1 and IO-Link, with restart interlock and external device monitoring



The requirements in the operating instructions of the devices used must be adhered to.


Connection diagram 3 x L25/L26 to RLY3-MULT1, with restart interlock and external device monitoring


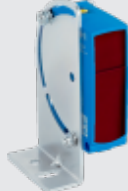






The requirements in the operating instructions of the devices used must be adhered to.

Recommended accessories

Other models and accessories → [www.sick.com/L26](http://www.sick.com/L26)

	Brief description	Type	part no.
connectors and cables			
	<ul style="list-style-type: none"> <li>• <b>Connection type head A:</b> Female connector, M12, 4-pin, straight, A-coded</li> <li>• <b>Connection type head B:</b> Flying leads</li> <li>• <b>Signal type:</b> Sensor/actuator cable</li> <li>• <b>Cable:</b> 5 m, 4-wire, PVC</li> <li>• <b>Description:</b> Sensor/actuator cable, unshielded</li> <li>• <b>Application:</b> Zones with chemicals, Uncontaminated zones</li> </ul>	YF2A14-050VB3XLEAX	2096235

	Brief description	Type	part no.
Mounting systems			
	<ul style="list-style-type: none"> <li><b>Description:</b> Mounting bracket with articulated arm</li> <li><b>Material:</b> Steel</li> <li><b>Details:</b> Steel, zinc coated</li> <li><b>Items supplied:</b> Mounting hardware included</li> <li><b>Suitable for:</b> W16, W26, W11, W12, W23, W27, Dx50, W280, G10</li> </ul>	BEF-WN-MULTI2	2093945
	<ul style="list-style-type: none"> <li><b>Description:</b> Mounting bracket</li> <li><b>Material:</b> Steel</li> <li><b>Details:</b> Steel, zinc coated</li> <li><b>Items supplied:</b> Mounting hardware included</li> <li><b>Suitable for:</b> W23-2, W27-3, Reflex Array</li> </ul>	BEF-WN-W23	2019085
	<ul style="list-style-type: none"> <li><b>Description:</b> Mounting bracket with hinged arm</li> <li><b>Material:</b> Steel</li> <li><b>Details:</b> Steel, zinc coated</li> <li><b>Items supplied:</b> Mounting hardware included</li> <li><b>Suitable for:</b> W23-2, W27-3, Reflex Array</li> </ul>	BEF-WN-W27	2009122
	<ul style="list-style-type: none"> <li><b>Description:</b> Plate A for universal clamp bracket</li> <li><b>Material:</b> Steel</li> <li><b>Details:</b> Steel, zinc coated</li> <li><b>Items supplied:</b> Universal clamp (2022726), mounting hardware</li> <li><b>Usable for:</b> MultiPac, W23-2, W27-3, W26, P250, DS30</li> </ul>	BEF-KHS-A01	2022458
	<ul style="list-style-type: none"> <li><b>Description:</b> Plate N04 for universal clamp, steel</li> <li><b>Material:</b> Steel, zinc diecast</li> <li><b>Details:</b> Zinc plated steel (sheet), Zinc die cast (clamping bracket)</li> <li><b>Items supplied:</b> Universal clamp (5322626), mounting hardware</li> <li><b>Usable for:</b> Dx50, UC12, W12G, W14-2, W18-2, W23, W280, W11-2, W12-3, W12-2 Laser, W12 Teflon, W16, W18-3, W23-2, W24-2, W24-2 Ex, W26, W27-2 Laser, W27-2, W27-3, W34, W260, W280-2, PowerProx, Reflex Array, W11G-2, W18-3 Ex, W27-3 Ex</li> </ul>	BEF-KHS-N04	2051610
	<ul style="list-style-type: none"> <li><b>Description:</b> Mounting bracket with articulated arm for W11-2, W27, Dx50</li> <li><b>Material:</b> Steel</li> <li><b>Details:</b> Steel, zinc coated</li> <li><b>Items supplied:</b> Mounting hardware included</li> <li><b>Suitable for:</b> W23-2, W27-3, Reflex Array</li> </ul>	BEF-WN-MULTI	2064469



	Brief description	Type	part no.
device protection and care			
	<ul style="list-style-type: none"> <li>• <b>Description:</b> Protective housing for W26, W27-3 and mounting rods with diameter 12 mm ... 20 mm</li> <li>• <b>Material:</b> Steel, zinc diecast</li> <li>• <b>Items supplied:</b> Universal clamp BEF-KHS-KH1 (2022726), mounting hardware</li> <li>• <b>Suitable for:</b> W27-3, W26, RAY26</li> </ul>	BEF-SG-W27	2039601
network devices			
		IOLA2US-01101 (SiLink2 Master)	1061790
		SIG200-0A0G12200	1102605
		SIG200-0A0412200	1089794

## SICK AT A GLANCE

SICK is one of the leading manufacturers of intelligent sensors and sensor solutions for industrial applications. A unique range of products and services creates the perfect basis for controlling processes securely and efficiently, protecting individuals from accidents and preventing damage to the environment.

We have extensive experience in a wide range of industries and understand their processes and requirements. With intelligent sensors, we can deliver exactly what our customers need. In application centers in Europe, Asia and North America, system solutions are tested and optimized in accordance with customer specifications. All this makes us a reliable supplier and development partner.

Comprehensive services complete our offering: SICK LifeTime Services provide support throughout the machine life cycle and ensure safety and productivity.

For us, that is “Sensor Intelligence.”

## WORLDWIDE PRESENCE:

Contacts and other locations –[www.sick.com](http://www.sick.com)