



## KUP-0808-S

Shaft couplings

SHAFT ADAPTATION

**SICK**  
Sensor Intelligence.



### Ordering information

| Type       | part no. |
|------------|----------|
| KUP-0808-S | 5314177  |

Other models and accessories → [www.sick.com/Shaft\\_couplings](http://www.sick.com/Shaft_couplings)

### Detailed technical data

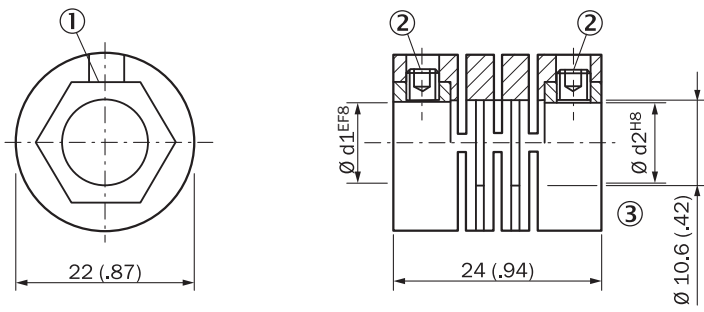
#### Features

|                        |   |
|------------------------|---|
| <b>Product segment</b> | Shaft adaptation  |
| <b>Product</b>         | Shaft couplings   |
| <b>Description</b>     | Bar coupling, shaft diameter 8 mm /8 mm, maximum shaft offset radial $\pm 0.3$ mm, axial $\pm 0.2$ mm, angle $\pm 3^\circ$ ; max. speed 10,000 rpm, torsion spring rigidity 38 Nm/wheel; material: fiber-glass reinforced polyamide, aluminum hub |
| <b>Specialty</b>       | Maximum shaft offset: radial $\pm 0.3$ mm, axial $\pm 0.2$ mm, angular $\pm 3^\circ$ ; max. speed 10,000 rpm, $-10^\circ$ to $+80^\circ$ °C, max. torque 80 Ncm; material: fiber-glass reinforced polyamide, aluminum hub                         |

#### Classifications

|                       |          |
|-----------------------|----------|
| <b>ECLASS 5.0</b>     | 23031090 |
| <b>ECLASS 5.1.4</b>   | 23031090 |
| <b>ECLASS 6.0</b>     | 23031090 |
| <b>ECLASS 6.2</b>     | 23031090 |
| <b>ECLASS 7.0</b>     | 23031090 |
| <b>ECLASS 8.0</b>     | 23031090 |
| <b>ECLASS 8.1</b>     | 23031090 |
| <b>ECLASS 9.0</b>     | 23031090 |
| <b>ECLASS 10.0</b>    | 23031090 |
| <b>ECLASS 11.0</b>    | 23031090 |
| <b>ECLASS 12.0</b>    | 23031090 |
| <b>UNSPSC 16.0901</b> | 31163014 |

Dimensional drawing



Dimensions in mm (inch)

## SICK AT A GLANCE

SICK is one of the leading manufacturers of intelligent sensors and sensor solutions for industrial applications. A unique range of products and services creates the perfect basis for controlling processes securely and efficiently, protecting individuals from accidents and preventing damage to the environment.

We have extensive experience in a wide range of industries and understand their processes and requirements. With intelligent sensors, we can deliver exactly what our customers need. In application centers in Europe, Asia and North America, system solutions are tested and optimized in accordance with customer specifications. All this makes us a reliable supplier and development partner.

Comprehensive services complete our offering: SICK LifeTime Services provide support throughout the machine life cycle and ensure safety and productivity.

For us, that is “Sensor Intelligence.”

## WORLDWIDE PRESENCE:

Contacts and other locations –[www.sick.com](http://www.sick.com)