



TPCC cooling housing Dx100

Cooling devices

DEVICE PROTECTION AND CARE

SICK
Sensor Intelligence.



Ordering information

Type	part no.
TPCC cooling housing Dx100	6048328

Other models and accessories → www.sick.com/Cooling_devices

Detailed technical data

Features

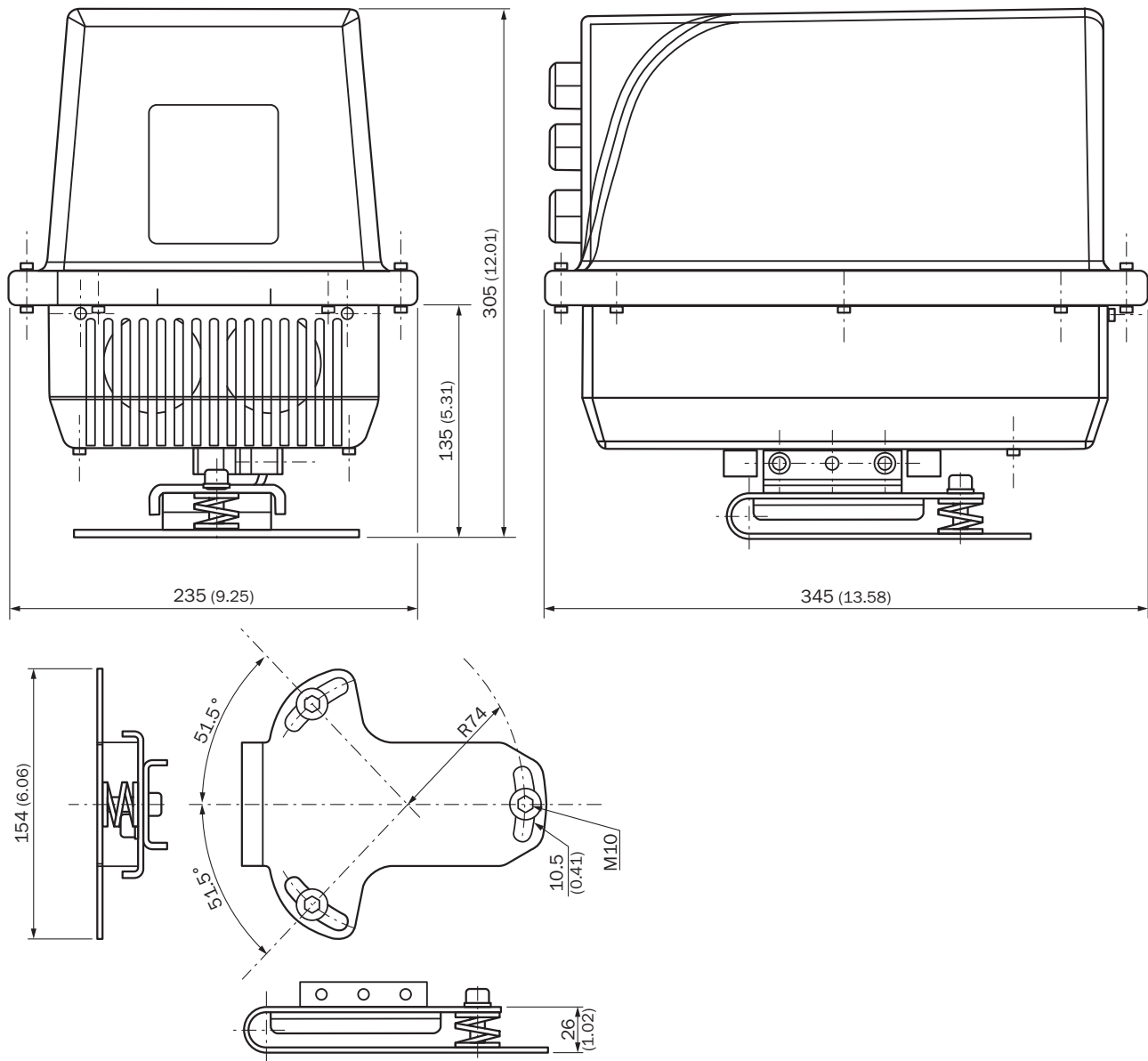
Product segment	Device protection and care
Product	Cooling devices
Description	Cooler housing, Peltier cooling unit, polyamide 6 Due to space constraints, connecting cables with 90° angled, pre-assembled male connectors are required.
Enclosure rating	IP55 (horizontal mounting) / IP54 (vertical mounting)
Operating voltage	24 V DC ... 30 V DC
Power consumption	At 24 V DC 11 A ¹⁾
Ambient operating temperature	-40 °C ... +75 °C
Storage temperature	-40 °C ... +50 °C
Weight	+ 7.5 kg

¹⁾ Start-up current max. 15 A at 24 V DC.

Classifications

ECLASS 5.0	27279202
ECLASS 5.1.4	27279202
ECLASS 6.0	27279202
ECLASS 6.2	27279202
ECLASS 7.0	27279202
ECLASS 8.0	27279202
ECLASS 8.1	27279202
ECLASS 9.0	27273701
ECLASS 10.0	27273701
ECLASS 11.0	27273701
ECLASS 12.0	27273701
ETIM 5.0	EC002615
ETIM 6.0	EC002615
ETIM 7.0	EC002615
ETIM 8.0	EC002615
UNSPSC 16.0901	32131001

Dimensional drawing



Dimensions in mm (inch)

SICK AT A GLANCE

SICK is one of the leading manufacturers of intelligent sensors and sensor solutions for industrial applications. A unique range of products and services creates the perfect basis for controlling processes securely and efficiently, protecting individuals from accidents and preventing damage to the environment.

We have extensive experience in a wide range of industries and understand their processes and requirements. With intelligent sensors, we can deliver exactly what our customers need. In application centers in Europe, Asia and North America, system solutions are tested and optimized in accordance with customer specifications. All this makes us a reliable supplier and development partner.

Comprehensive services complete our offering: SICK LifeTime Services provide support throughout the machine life cycle and ensure safety and productivity.

For us, that is “Sensor Intelligence.”

WORLDWIDE PRESENCE:

Contacts and other locations –www.sick.com