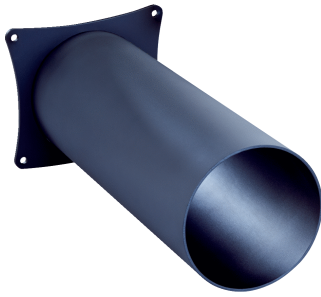


Protective tube for weather proof housing

Protective caps and hoods

DEVICE PROTECTION AND CARE

SICK
Sensor Intelligence.



Ordering information

Type	part no.
Protective tube for weather proof housing	2087693

Other models and accessories → www.sick.com/Protective_caps_and_hoods

Detailed technical data

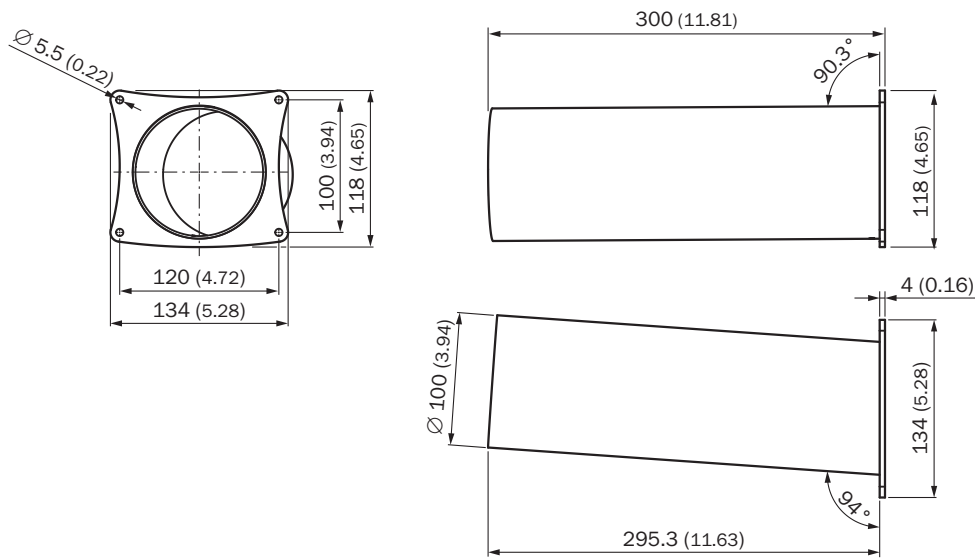
Features

Product segment	Device protection and care
Product	Protective caps and hoods
Description	Shield for weatherproof housing for use in dusty environments and for protecting against strong ambient light.
Material	Aluminum
Weight	0.56 kg

Classifications

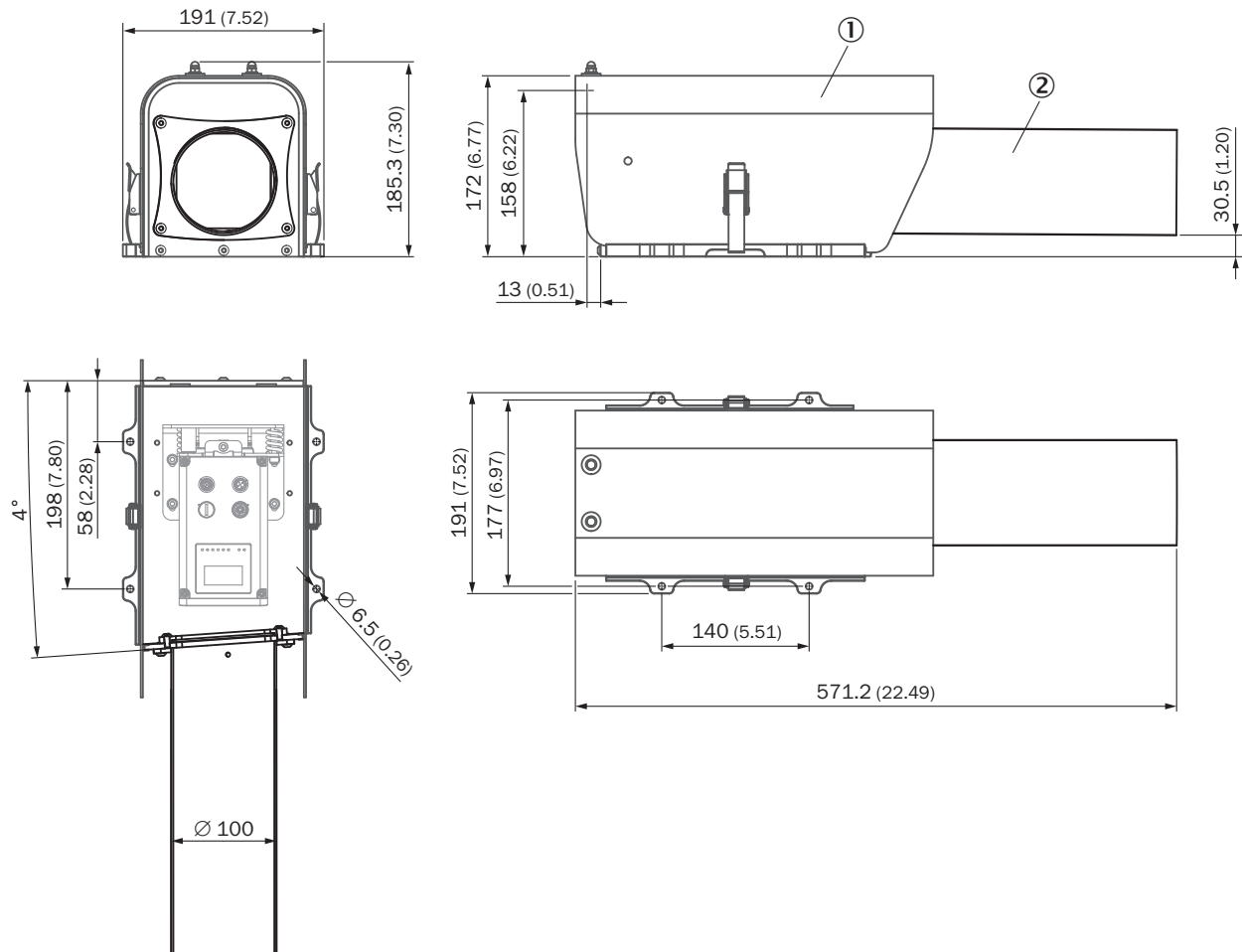
ECLASS 5.0	27279202
ECLASS 5.1.4	27279202
ECLASS 6.0	27279202
ECLASS 6.2	27279202
ECLASS 7.0	27279202
ECLASS 8.0	27279202
ECLASS 8.1	27279202
ECLASS 9.0	27273701
ECLASS 10.0	27273701
ECLASS 11.0	27273701
ECLASS 12.0	27273701
ETIM 5.0	EC000200
ETIM 6.0	EC000200
ETIM 7.0	EC000200
ETIM 8.0	EC000200
UNSPSC 16.0901	32131023

Dimensional drawing



Dimensions in mm (inch)

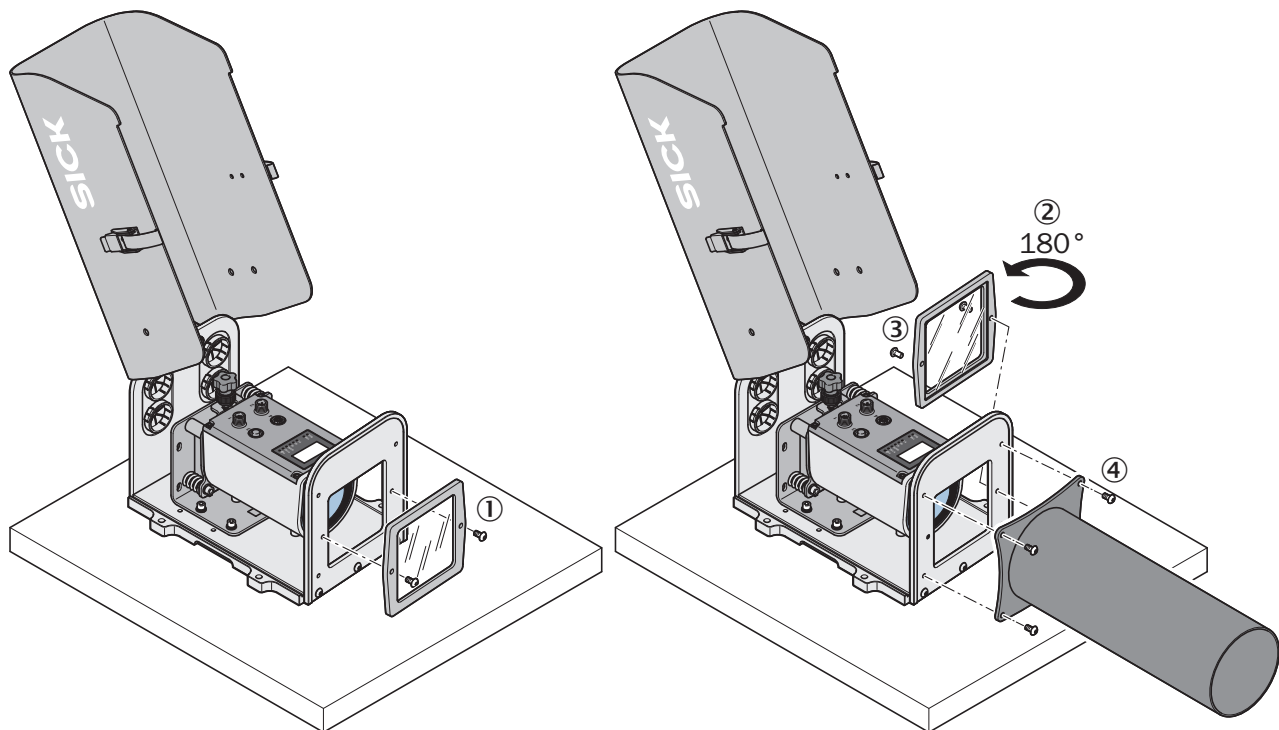
Dimensional drawing Weatherproof housing with tube



Dimensions in mm (inch)

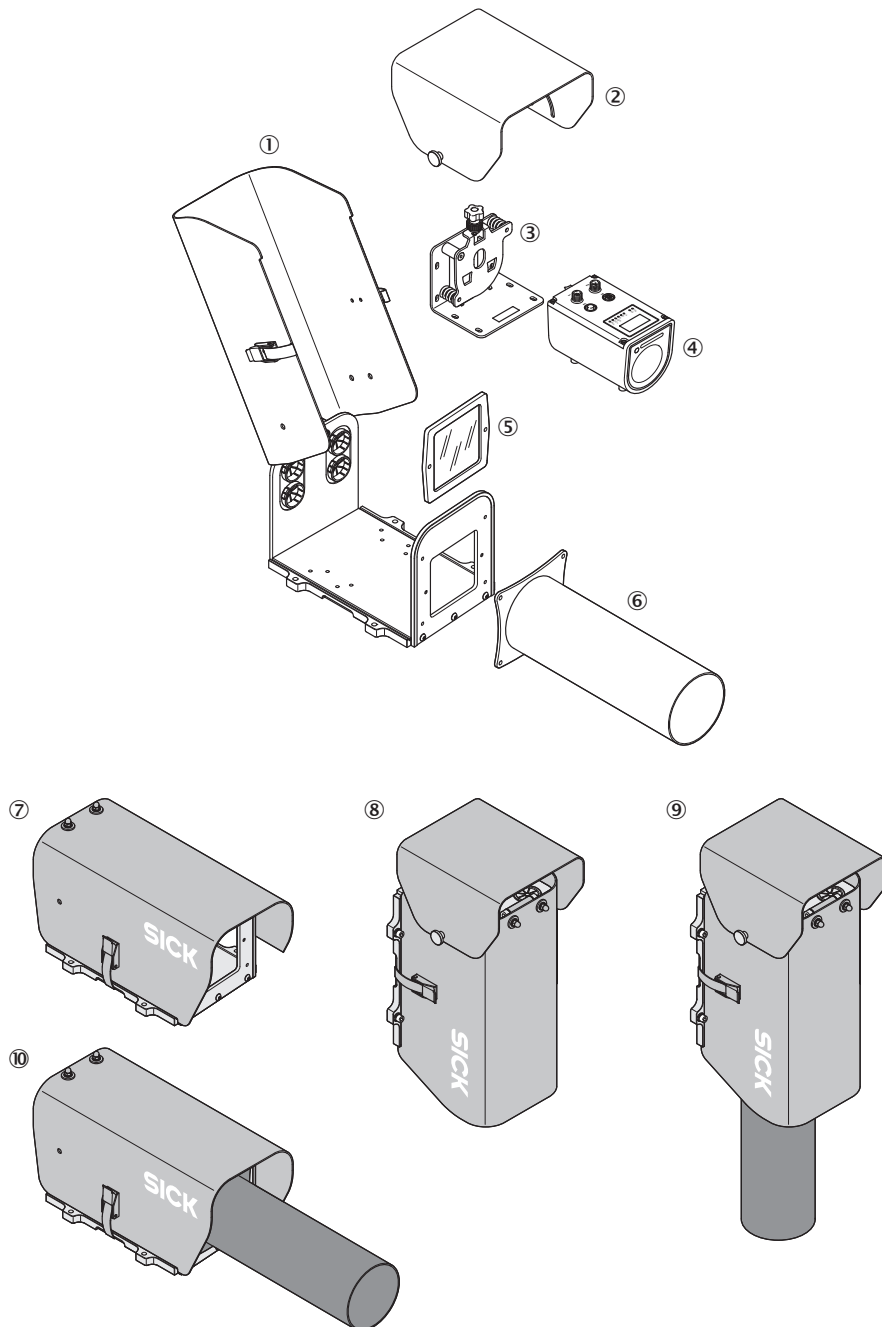
- ① Weatherproof housing (part number 2087690)
- ② Tube for weatherproof housing (part number 2087693)

Instruction for installation Weatherproof housing with tube



- ① Remove the front screen from the outside of the housing
- ② Rotate the front screen 180° through the horizontal axis
- ③ Attach the front screen to the inside of the housing
- ④ Attach the tube to the outside of the housing

Instruction for installation Weatherproof housing



- ① Weatherproof housing (part number 2087690)
- ② Rain cover for protective housing (part number 2087695)
- ③ Alignment bracket (part number 2080392)
- ④ Dx1000
- ⑤ Front screen (part number 4090054)
- ⑥ Tube (part number 2087693)
- ⑦ Mounting variant, protective housing
- ⑧ Mounting variant, protective housing with rain cover for protective housing
- ⑨ Mounting variant, protective housing with rain cover for protective housing and tube
- ⑩ Mounting variant, protective housing with tube

SICK AT A GLANCE

SICK is one of the leading manufacturers of intelligent sensors and sensor solutions for industrial applications. A unique range of products and services creates the perfect basis for controlling processes securely and efficiently, protecting individuals from accidents and preventing damage to the environment.

We have extensive experience in a wide range of industries and understand their processes and requirements. With intelligent sensors, we can deliver exactly what our customers need. In application centers in Europe, Asia and North America, system solutions are tested and optimized in accordance with customer specifications. All this makes us a reliable supplier and development partner.

Comprehensive services complete our offering: SICK LifeTime Services provide support throughout the machine life cycle and ensure safety and productivity.

For us, that is “Sensor Intelligence.”

WORLDWIDE PRESENCE:

Contacts and other locations –www.sick.com